



RAIL ROAD NETWORK STATEMENT 2022 PIETARSAAREN SATAMA

(LJ-C56, 2.12.2020, version 1)

CONTENTS

1. INTRODUCTION

- 1.1. General
- 1.2. Contact
- 1.3. Publishing
- 1.4. Co-operation between railroad network holders

2. ACCESS TO THE RAIL ROAD NETWORK

- 2.1. General requirements for using the railway network
- 2.2. Injunctions and instructions concerning traffic

3. DESCRIPTION OF THE RAILWAY NETWORK

4. SHARING AND ADMITTANCE OF CAPACITY AND APPLICATION INSTRUCTIONS

5. SERVICES OFFERED ON THE RAILWAY NETWORK

6. PRICING

- 6.1. Railway fee
- 6.2. Service and additional service fee

ATTACHMENT 1. Railway chart

1. INTRODUCTION

The publication of the railroad network statement is laid down in the Railway Act (1302/2018) and Directive 2012/34/ EU of the European Parliament and of the Council establishing a single European railway area.

Also 2017/2177/EU, what comes to the service facilities provided.

The railroad network statement is not a decree from The Port of Pietarsaari Ltd, but an informative document.

The information published in the Railroad Network statement does not affect instructions from the Port of Pietarsaari Ltd or decrees from the Finnish Transport Infrastructure Agency.

1.1. General

The Port of Pietarsaari acts as the export and import harbor in the city of Pietarsaari.

Based on the land lease contract with the city of Pietarsaari, Port of Pietarsaari Ltd. manages the part of the railroad network which serves the harbor area.

1.2. Contact information

Port of Pietarsaari Ltd, Alholmintie 76, 68600 Pietarsaari, p. +358 6 723 6128, office@portofpietarsaari.fi, www.portofpietarsaari.fi

1.3. Publishing

The railroad network statement will apply 12.12.2021–10.12.2022 and it will be published at least 12 months before new schedule season. A new statement will be published if necessary.

The railroad network statement has been published in Finnish and English.

The report is available on the Port of Pietarsaari Ltd. web page www.portofpietarsaari.fi/safety and on the Finnish Transport Infrastructure Agency's web page <https://vayla.fi/en/service-providers/commercial-railway-transport/network-statement>

1.4. Co-operation between railroad network holders

Railway from Port of Pietarsaari relates to the Finnish Transport Infrastructure Agency's railroad network. Port of Pietarsaari Ltd has made 09.01.2017 the rail road holder agreement with Finnish Transport Agency.

2. ACCESS TO THE RAILROAD NETWORK

Requirements for accessing the railroad network are described in the Railway Act (1302/2018) and in the Finnish government's decree on railway traffic's timetable term and sharing the railway capacity (1490/2015).

Requirements for accessing the railroad network are described in the Railway Act (1302/2018). The Finnish Transport Safety and Communications Agency and the Finnish Transport Infrastructure Agency's injunctions and instructions must be followed on the Port of Pietarsaari railroad network. Information on the Finnish Transport Safety and Communications Agency's active injunctions is available on the Finlex web page in the address www.finlex.fi and in the Finnish Transport Infrastructure Agency's web page www.traficom.fi. Information on the Finnish Transport Infrastructure Agency's instructions is available from the Agency's web page www.vayla.fi. Essential legislation gathered to: <https://saantelyelin.fi/en/essential-legislation>

2.1 General requirements for using the railway network

1. A railway company or an international union of railway companies must have a railway company's license consistent with the Railway Act and admitted by Traficom or a corresponding European economic region.
2. A company acting in railway traffic must have a safety certificate consistent with the Railway Act and admitted or accepted by Traficom. Further information on applying for a license and a safety certificate can be found on the web page: www.rautatiemarkkinoille.fi/luvat-ja-todistukset.
3. A company acting in railway traffic and operating on the Port of Pietarsaari railway must have a cooperation agreement with Port of Pietarsaari Ltd. The managing director of the Port of Pietarsaari Ltd handles matters concerning the cooperation agreement. Contact information can be found on the web page www.portofpietarsaari.fi.
4. A company acting in railway traffic must have liability insurance.

2.2. Injunctions and instructions concerning traffic

The Finnish Transport Safety and Communications Agency has admitted Port of Pietarsaari Ltd. a safety permit which applies 07.07.2018–06.07.2023.

Instructions concerning traffic have been specified:

1. In Port of Pietarsaari Ltd management system and
2. In Port of Pietarsaari Ltd railway work and shunting safety instructions: www.portofpietarsaari.fi/turvallisuus/

3. DESCRIPTION OF THE RAILWAY NETWORK

Connection points into the Finnish Transport Infrastructure agency's railway network have been presented in the attached railway chart excerpt.

The Port of Pietarsaari network consists of 2600 meters of three separate portions. Connection point to The Finnish Transport Infrastructure Agency network is on V300.

Electric equipment is used on the railway tracks.

The speed limit on the railway tracks is 10 km/h.

The axle load on the railway tracks is presented in railway network chart. Railway tonnage per meter is 8.

4. SHARING AND ADMITTANCE OF CAPACITY AND APPLICATION INSTRUCTIONS

On the Port of Pietarsaari Ltd. railway network:

- there is no scheduled traffic: all the railway capacity is admitted in the order that trains are arriving on the state's railway network
- if there is confusion concerning the arrival order, the port will resolve the issue, taking into consideration factors affecting the issue such as the schedules of vessels that need to be loaded
- departure on the railway network depends on how the Finnish Transport Infrastructure Agency is capable of accepting trains on the state's railway network

5. SERVICES OFFERED ON THE RAILWAY NETWORK

No services are offered for users of the railway network on the Port of Pietarsaari tracks by Port of Pietarsaari Ltd. The other services provided by Port of Pietarsaari: <https://portofpietarsaari.fi/en/port-area/services/>

Other service providers <https://portofpietarsaari.fi/en/port-area/> (6.2) are responsible of their own pricing.

6. PRICING

6.1 Railway fee

No railway fee designated by the Railway Act or additional fees are collected for traffic on the Port of Pietarsaari Ltd's tracks.

6.2. Service and additional service fees

Cargo transport on the Port of Pietarsaari Ltd's tracks is meant for use of articles loaded into ships or discharged or storage from them. The use of the tracks is included as a part of Port of Pietarsaari cargo fee which is confirmed annually in Port of Pietarsaari Ltd's price list.

Operators acting in the harbor area, Euroports Oy and Kraftline Oy, take care of cargo handling (loading, discharging and storing) in the Port of Pietarsaari harbor area. Euroports offers services for the rail transport <http://www.euroports.fi/media->

[files/Palvelupaikkakuvaus%20Euroports%20Pietarsaari%2019.11.2019.pdf](#)

Contact information of operators working at the Port of Pietarsaari is presented on the web page: www.portofpietarsaari.fi/en/contact-information/. Operators have their own pricelists for their services

7.0 Responsibilities and dispute settlement

Disputes related to access to the railway network or service points must be primarily solved by negotiation. If no consensus is reached in the matter, the infrastructure manager will decide upon the matter, keeping in mind equality and non-discrimination.

If the party concerned is dissatisfied with the decision of the infrastructure manager, it can file a claim for rectification with the Regulatory Body or bring the matter to investigation by the Regulatory Body in accordance with section 72 or section 73 of the Railway Act (304/2011).

Regulatory Body in Finland, is a part of Finnish Transport Safety and Communication Agency (Traficom). More information about Regulatory Body can be found from their web pages, www.saantelyelin.fi/en.

In addition to the Railway Act, the Administrative Procedure Act 434/2003, must also be followed when handling the amendment requirements.

The liability for rail traffic damages, is determined by the provisions of the Rail Traffic Liability Act (113/1999).

Juha Hakala
Managing Director
Port of Pietarsaari Ltd

Vaihteet (Pietarsaari)
 V006. YV54-200-1:9-V
 V009. YV54-200-1:9-O
 V010. YV54-200-1:9-O

Perusasento suoralle
 V006

PIETARSAARI (Pts)

liikennepaikka
 km 528+889

Raiteen akselipaino/nopeus (km/h)
Raide 160 kN 200 kN 225 kN 250 kN

001	20	20	20	—
002	20	20	20	—
004	20	20	20	—

Junakultueraitteen käyttöpituus

001	736 m
-----	-------

Vaihteet (Alholma)
 V001. YV54-200N-1:9-V yks
 V002. YV54-200N-1:9-O yks
 V003. YV54-200N-1:9-V
 V004. YV54-200N-1:9-V
 V005. YV54-200N-1:9-O
 V015. YV54-200N-1:9-V
 V031. YV54-200N-1:9-O
 V032. YV54-200N-1:9-V
 V066. YV54-200N-1:9-O
 V092. YV54-200-1:9-O
 V110. YV54-200N-1:9-V yks
 V111. YV54-200N-1:9-V yks
 V202. YV54-200N-1:9-V yks
 V204. YV54-200N-1:9-O yks
 V300. YV54-200N-1:9-V

ALHOLMA (Alh)

liikennepaikka
 km 532+570

Raiteen akselipaino/nopeus (km/h)
Raide 160 kN 200 kN 225 kN 250 kN

001A	30	30	30	—
001B	30	30	30	—
010	30	30	30	—
012	30	30	30	—
040	30	30	30	—

Raiteen akselipaino/nopeus (km/h)
Raide 160 kN 200 kN 225 kN 250 kN

021	20	20	20	—
022	20	20	20	—
025	20	20	20	—
026	20	20	20	—
027	20	20	20	—
028	20	20	20	—
041	10	10	10	—
042	10	10	10	—
043	10	10	10	—
050	20	20	20	—

km 528

km 529

km 530

km 531

km 532

Pietarsaaren Satama Oy

kp 439 m

kp 396 m

kp 306 m

kp 550 m

kp 387 m

kp 387 m

kp 571 m

kp 624 m

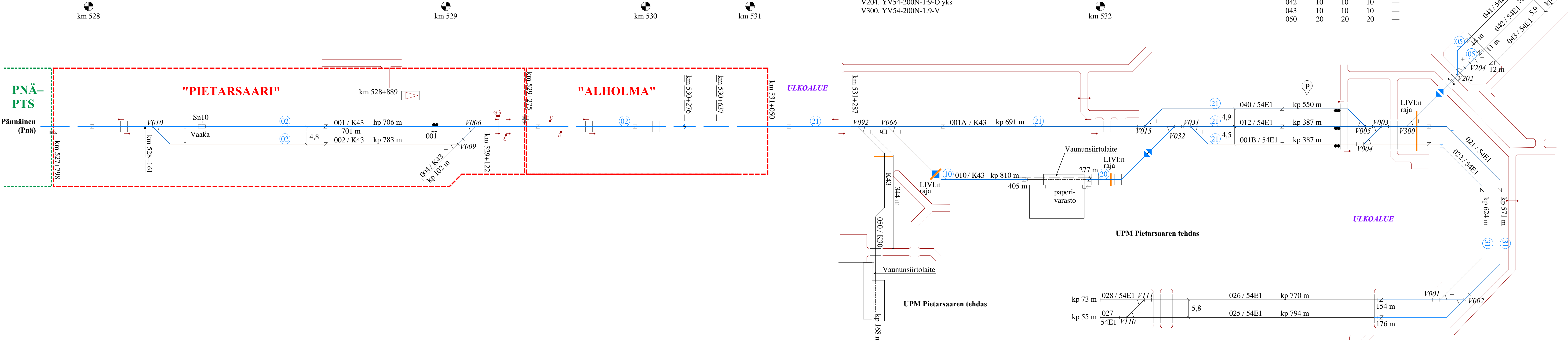
kp 571 m

kp 770 m

kp 794 m

154 m

176 m



PNÄ-PTS

"PIETARSAARI"

"ALHOLMA"

ULKOALUE

ULKOALUE

UPM Pietarsaaren tehdas

UPM Pietarsaaren tehdas

Kukin rataverkon haltija vastaa raitestonsa tietojen oikeellisuudesta.

— Pääraide
 — Sivuraide

— Pääraide
 — Sivuraide

P	Alholma: Käyttöpituus raitteella 040.	02.03.17	AK	09.03.17	MN
MUUTOS	SELITYS	PVM	TEHNYT	PVM	HYV.
				RAITEISTOKAAVIO PIETARSAARI-ALHOLMA	
PVM	15.11.2004	PVM	10.11.2004	PIIRT.	10.06.04 V. Kandell
HYV.	M. Nummelin	HYV.	M. Majjala	TARK.	08.08.04 K. Ojanperä
				PIIR. N:O	4021-030-300-P-1/2

P	Alholma: Käyttöpituus raitteella 040.	02.03.17	AK	09.03.17	MN
MUUTOS	SELITYS	PVM	TEHNYT	PVM	HYV.
				RAITEISTOKAAVIO PIETARSAARI-ALHOLMA	
PVM	15.11.2004	PVM	10.11.2004	PIIRT.	10.06.04 V. Kandell
HYV.	M. Nummelin	HYV.	M. Majjala	TARK.	08.08.04 K. Ojanperä
				PIIR. N:O	4021-030-300-P-2/2

PIETARSAARI (Pts)

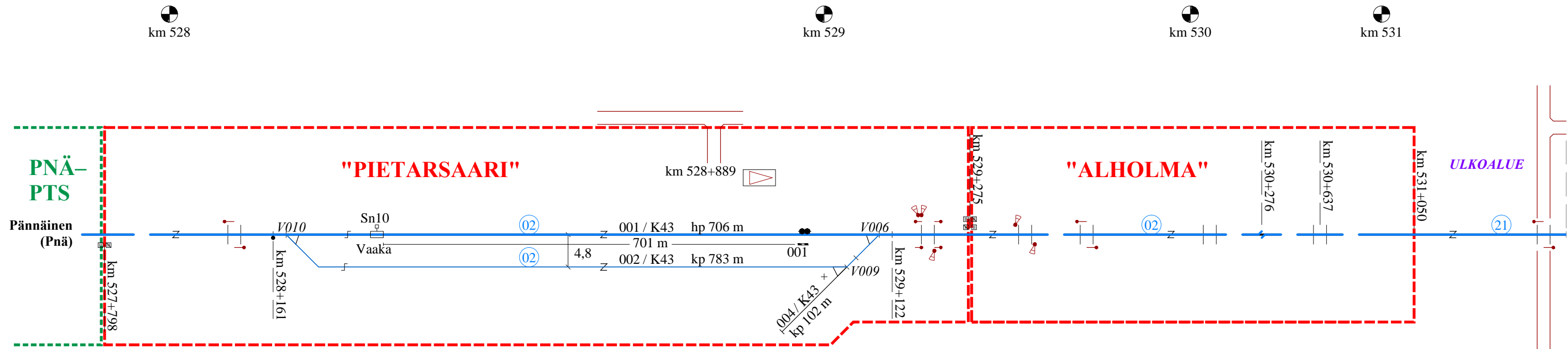
liikennepaikka
km 528+889

Vaihteet (Pietarsaari)
V006. YV54-200-1:9-V
V009. YV54-200-1:9-O
V010. YV54-200-1:9-O

Perusasento suoralle
V006

Raiteen akselipaino/nopeus (km/h)				
Raide	160 kN	200 kN	225 kN	250 kN
001	20	20	20	—
002	20	20	20	—
004	20	20	20	—

Junakulkutieraitteen käyttöpituus	
001	736 m



— Pääraide
- - - Sivuraide

P Alholma: Käyttöpituus raiteella 040.		02.03.17	AK	09.03.17	MN
MUUTOS	SELITYS	PVM	TEHNYT	PVM	HYV.
				RAITEISTOKAAVIO PIETARSAARI-ALHOLMA	
PVM 15.11.2004	PVM 10.11.2004	PIIRT. 10.06.04 V. Kandell			
HYV. M. Nummelin	HYV. M. Majjala	TARK. 08.08.04 K. Ojanperä	PIIR. N:O 4021-030-300-P-1/2		

ALHOLMA (Alh)

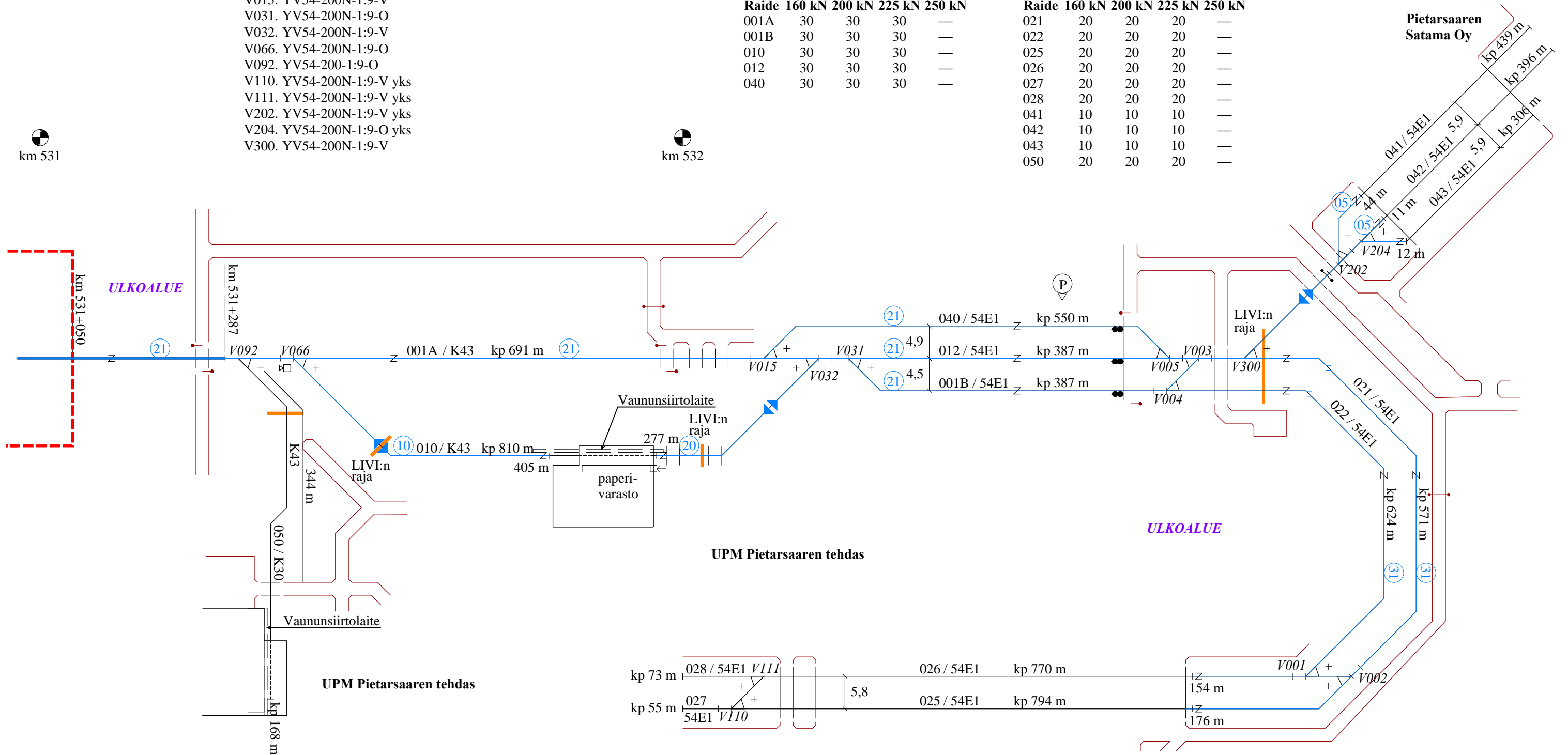
liikennepaikka
km 532+570

Vaihteet (Alholma)

- V001. YV54-200N-1:9-V yks
- V002. YV54-200N-1:9-O yks
- V003. YV54-200N-1:9-V
- V004. YV54-200N-1:9-V
- V005. YV54-200N-1:9-O
- V015. YV54-200N-1:9-V
- V031. YV54-200N-1:9-O
- V032. YV54-200N-1:9-V
- V066. YV54-200N-1:9-O
- V092. YV54-200-1:9-O
- V110. YV54-200N-1:9-V yks
- V111. YV54-200N-1:9-V yks
- V202. YV54-200N-1:9-V yks
- V204. YV54-200N-1:9-O yks
- V300. YV54-200N-1:9-V

Raiteen akselipaino/nopeus (km/h)				
Raide	160 kN	200 kN	225 kN	250 kN
001A	30	30	30	—
001B	30	30	30	—
010	30	30	30	—
012	30	30	30	—
040	30	30	30	—

Raiteen akselipaino/nopeus (km/h)				
Raide	160 kN	200 kN	225 kN	250 kN
021	20	20	20	—
022	20	20	20	—
025	20	20	20	—
026	20	20	20	—
027	20	20	20	—
028	20	20	20	—
041	10	10	10	—
042	10	10	10	—
043	10	10	10	—
050	20	20	20	—



Kukin rataverkon haltija vastaa raitteistonsa tietojen oikeellisuudesta.

— Pääraide
— Sivuraide

P Alholma: Käyttöpiius raitteella 040.		02.03.17	AK	09.03.17	MN
MUUTOS	SELITYS	PVM	TEHNYT	PVM	HYV.
				RAITEISTOKAAVIO PIETARSAARI-ALHOLMA	
PVM 15.11.2004	PVM 10.11.2004	PIIRT. 10.06.04 V. Kandell			
HYV. M. Nummelin	HYV. M. Majjala	TARK. 08.08.04 K. Ojanperä		PIIR. N:O 4021-030-300-P-2/2	